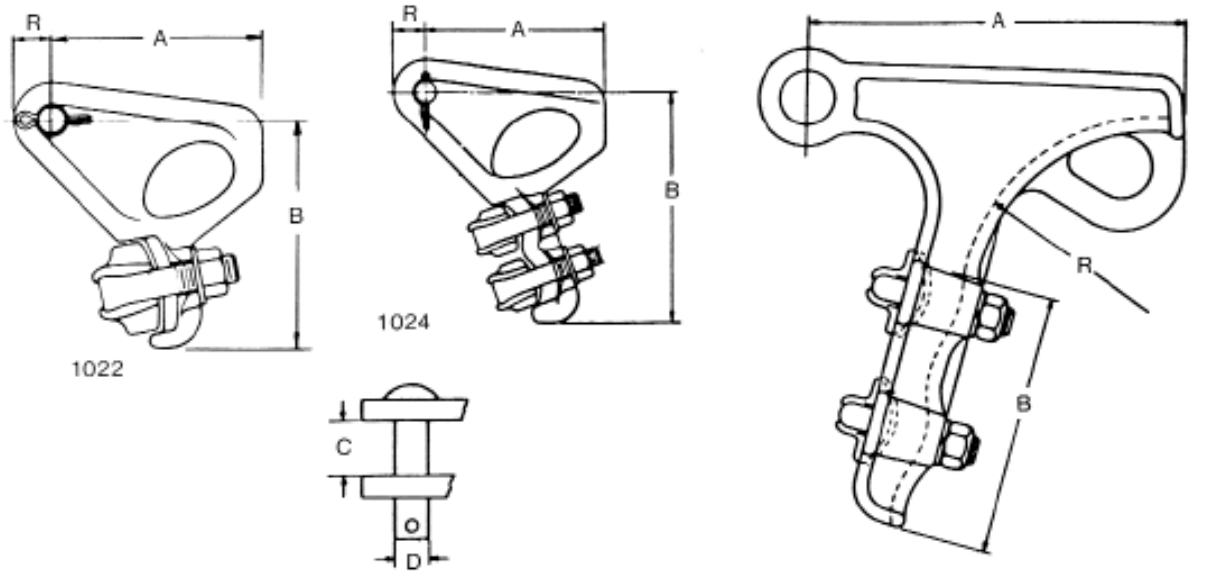




Conductor Clamps

Aluminum Strain Clamps

Lindsey's New Series Aluminum Quadrant Strain Clamps are recommended for ACSR or all aluminum conductor. Clamp bodies and keepers are manufactured from lightweight, high strength A356-T6 aluminum alloy. U-bolts, nuts, lockwashers and pins are hot dip galvanized steel. Humpback cotter keys are stainless steel.



1032, 1034, 1036, 1038, 1040, 1042

Catalog Number	Range (inches)		Dimensions (inches)					Ultimate Strength	U-Bolts	
	Max.	Min.	A	B	C	D	R		No.	Size
1022	.522	.184	3-25/32	4-1/8	5/8	1/2	11/16	5,000	1	1/2
1024	.642	.325	4-3/4	6-1/16	3/4	5/8	7/8	8,000	2	1/2
1032	.47	.20	5-3/8	4-1/2	5/8	5/8	2-1/2	7,000	2	1/2
1034	.60	.30	6-1/8	4-5/8	3/4	5/8	3	15,000	2	1/2
1036	.70	.35	6-3/4	4-7/8	7/8	5/8	3-1/2	15,000	2	1/2
1038	.86	.46	7-7/8	5-1/4	1-1/8	5/8	4-1/2	15,000	2	1/2
1040	1.00	.50	9-3/8	6-1/8	1-1/4	5/8	5	18,000	2	1/2
1042	1.30	.75	14	10-3/8	1-5/8	5/8	8	25,000	3	5/8

Clamps may be ordered with factory assembled socket eyes or clevis fittings. Add "S" for socket eye and "C" for clevis to catalog number. Recommended torque on U-bolts – 600 inch-pounds on 1/2", and 1000 inch-pounds on 5/8".