

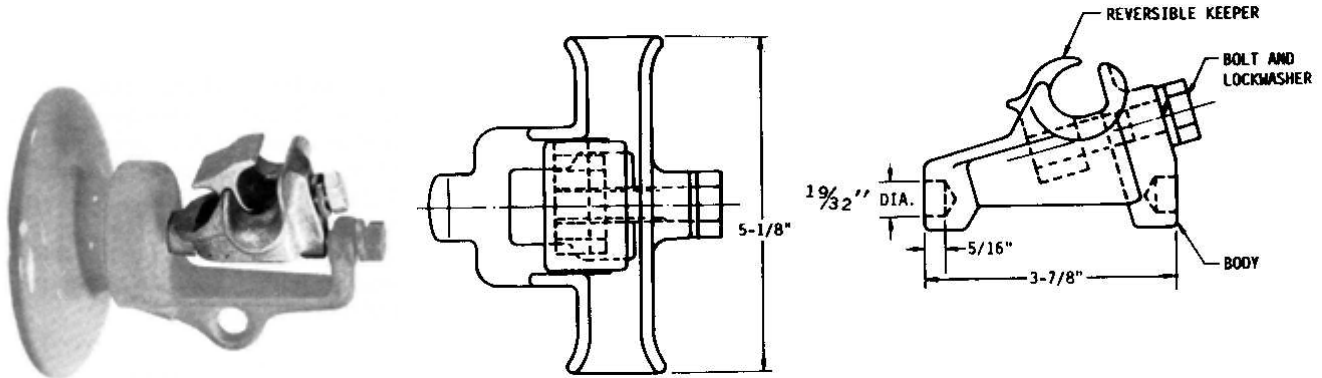


Conductors Clamps

"UNICON" Clamp-Top Insulator Clamps (For use on horizontal and vertical insulators)

Aluminum and ductile iron

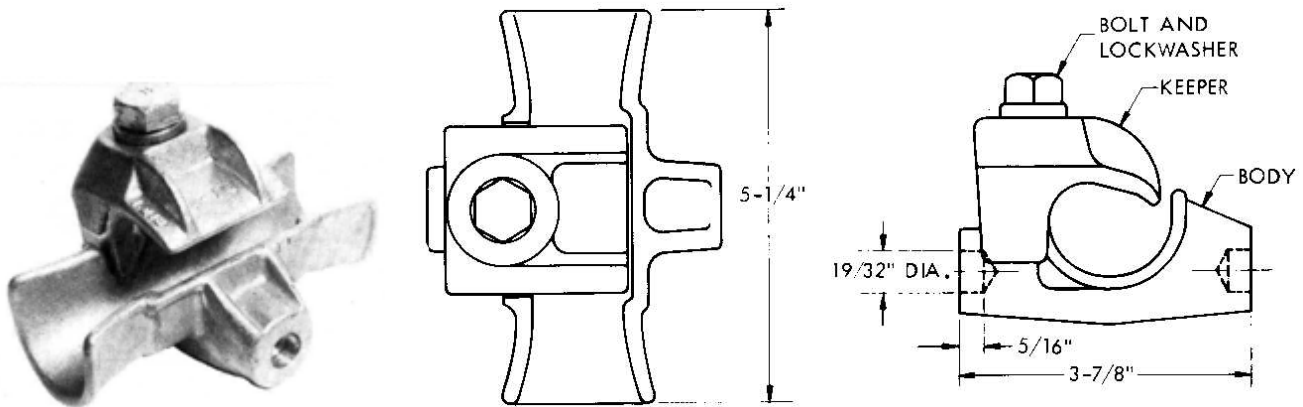
Lindsey's "UNICON" Conductor Clamps are Specially designed for use on horizontal insulators. A single bolt clamping feature makes conductor installation possible with a standard wrench or hot stick without removing parts. These clamps are available to accommodate conductors from .25 to 2.0 inch diameter. Material is 356-T6 high strength, heat treated aluminum alloy. Bolt and lockwasher are hot dip galvanized low carbon steel for maximum reliability and corrosion resistance. Most clamps available in 60-45-15 ductile iron hot dip galvanized. See catalog reference this page.



Features single bolt clamping for maximum safety and ease of installation in hot line work

CAT. No.		CONDUCTOR DIAMETER (INCHES)	BOLT SIZE (INCHES)
ALUMINUM	DUCTILE IRON		
1100	1101	.250-.800	1/2
1104	1105	.600-1.060	5/8
1108	1109	1.000-1.500	5/8

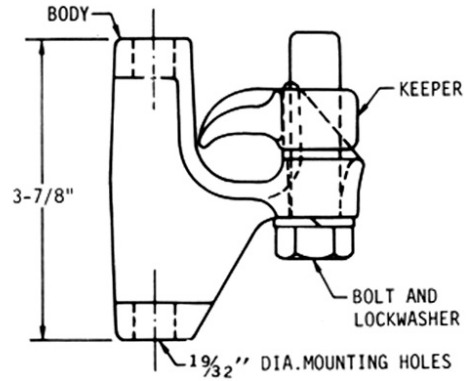
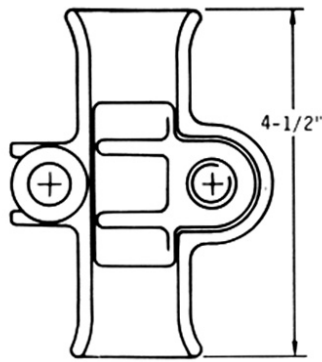
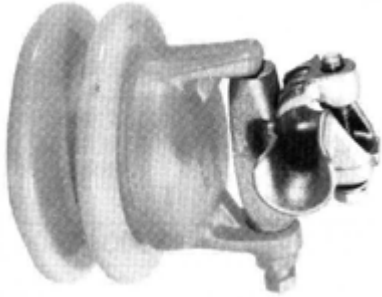
U.S. Patent 209,667 3,437,743
Canadian 819,287 30604



Deep groove design enables use on line angles without damage to the conductor.

CAT. No.		CONDUCTOR DIAMETER (INCHES)	BOLT SIZE (INCHES)
ALUMINUM	DUCTILE IRON		
1120	1121	.800-1.218	5/8
1124	1125	1.000-1.500	5/8
1128	1129	1.500-2.000	5/8

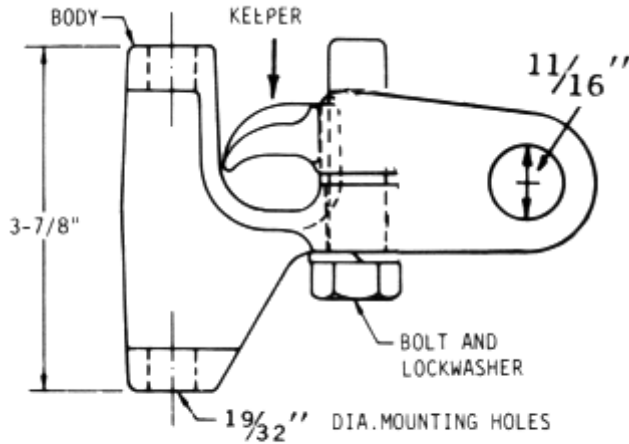
U.S. Patent 213,049



Converts vertical clamp top to horizontal clamp top. .

CAT. No.		CONDUCTOR DIAMETER (INCHES)	BOLT SIZE (INCHES)
ALUMINUM	DUCTILE IRON		
1136	1137	.250- .800	1/2
1140	1141	.600-1.060	5/8
1144	1145	1.000-1.500	5/8

U.S. Patent 209,668 3,437,742
Canadian 819,286 30603



1150, 1152

The unique slack span lug provides a dead ending point and eliminates the need for separate dead ending hardware.

CAT. No.	CONDUCTOR DIAMETER (INCHES)	BOLT SIZE (INCHES)
ALUMINUM		
1150	.250- .800	1/2
1152	.600-1.060	5/8

U.S. Patent 3,437,742
Canadian 819,286