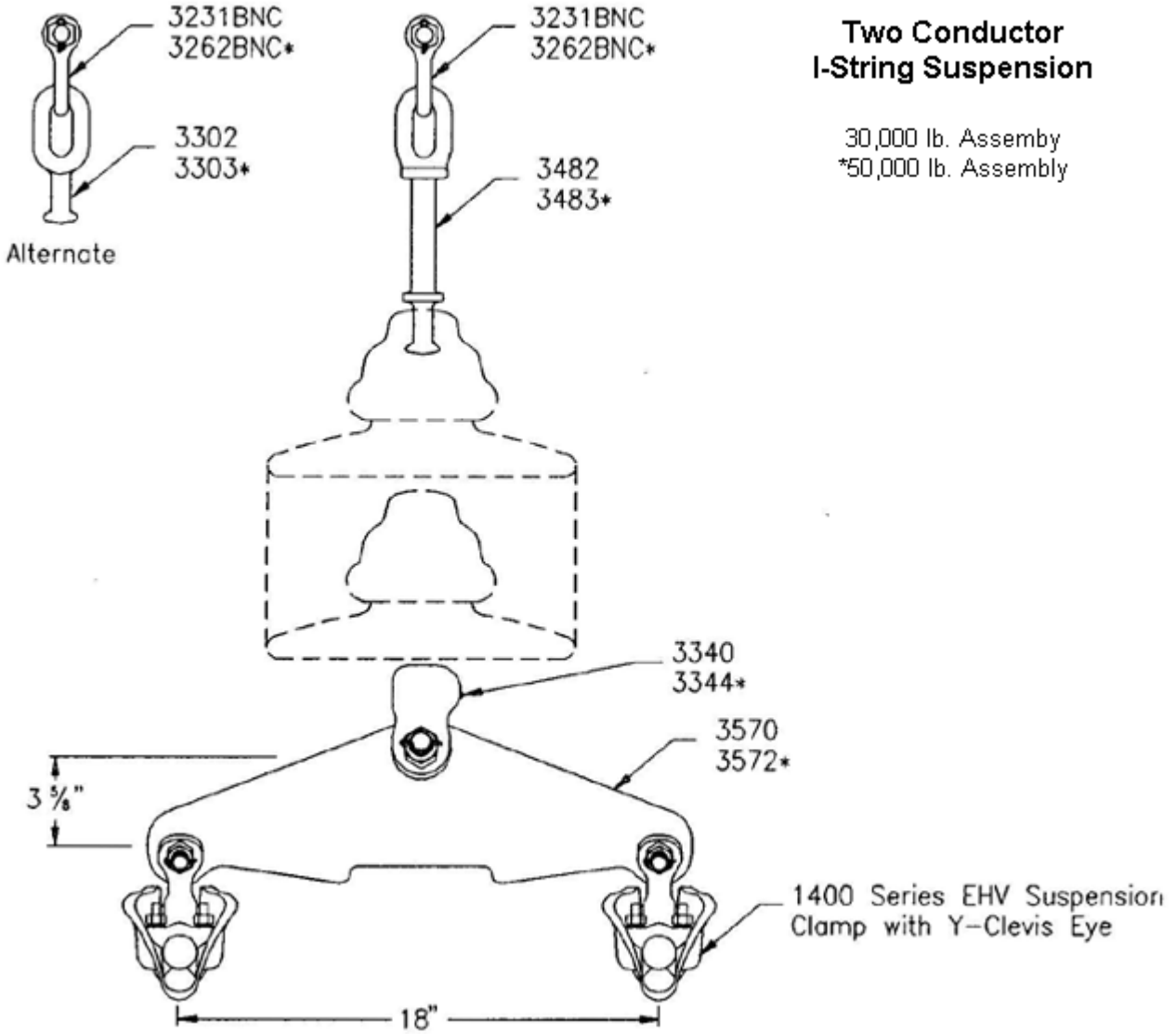
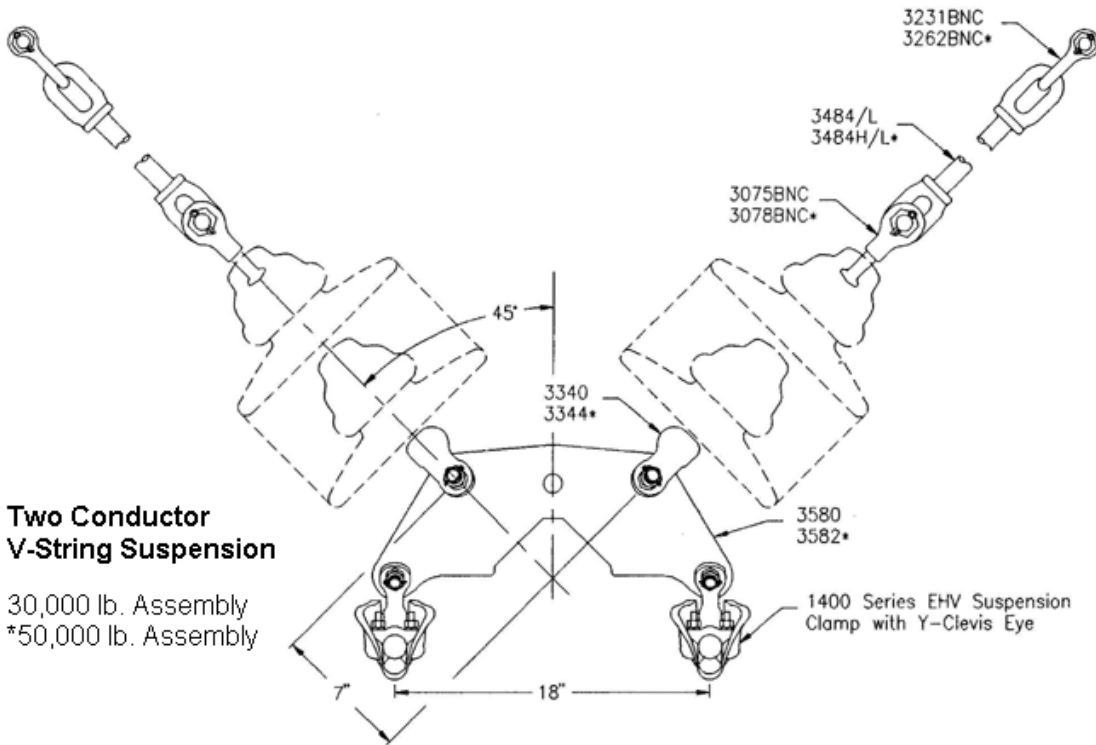




Transmission Assemblies/ EHV Suspension Assemblies

EHV Suspension Clamps

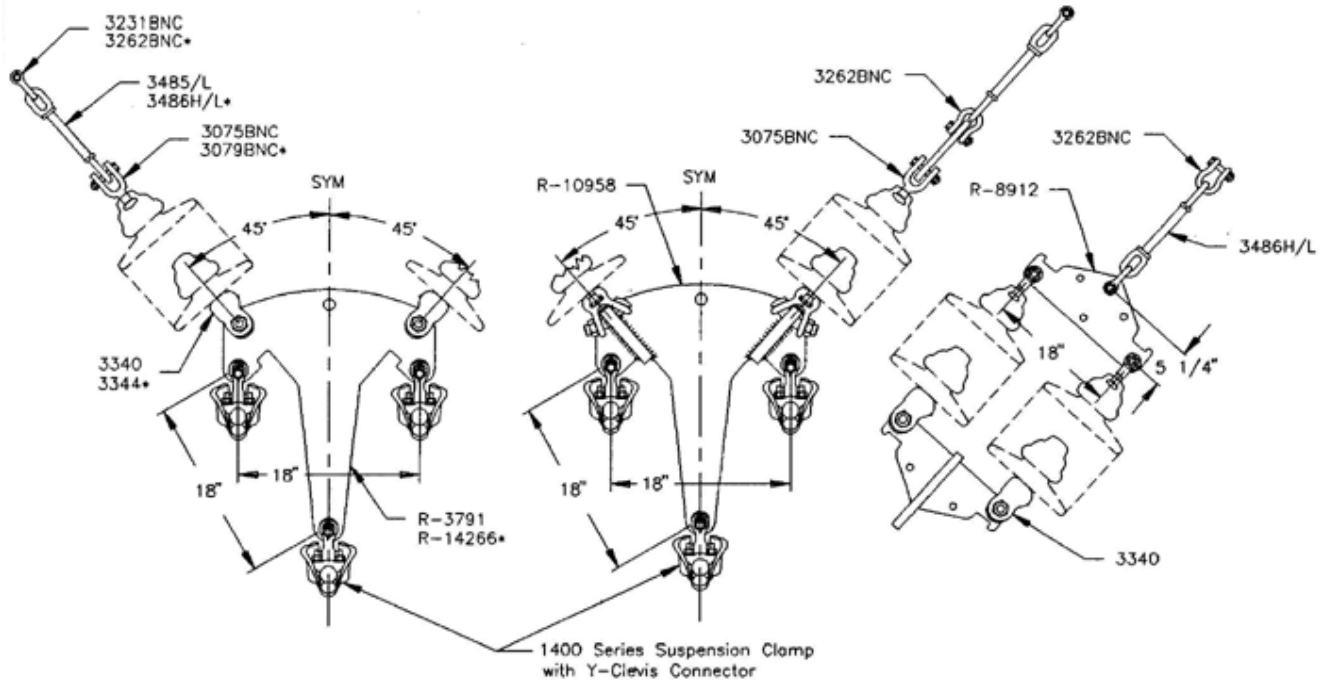




Two Conductor V-String Suspension

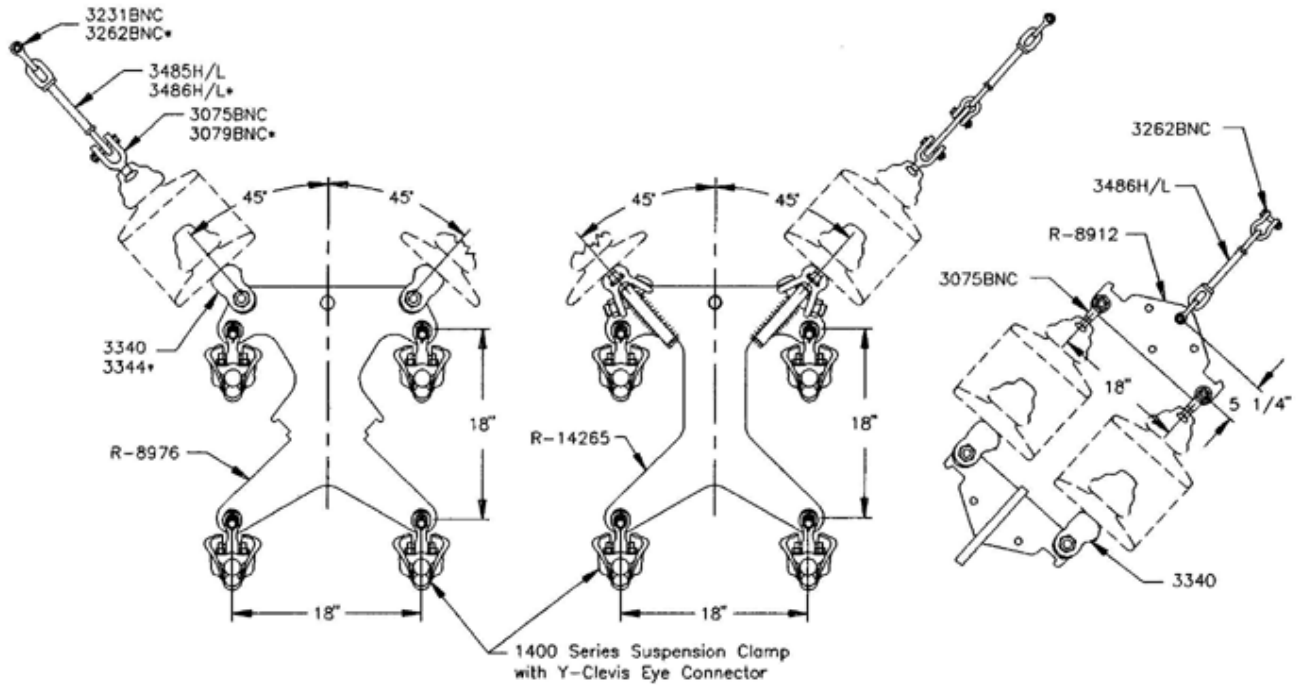
30,000 lb. Assembly
*50,000 lb. Assembly

EHV Suspension Clamps



30,000 lb. Assembly - *50,000 lb Assembly
60,000 lb. Assembly

EHV Suspension Clamps



30,000 lb. Assembly - *50,000 lb Assembly
 60,000 lb. Assembly