



T&D Fittings/ Hot Line Extension Links

Hot line Ball Links and Socket Links

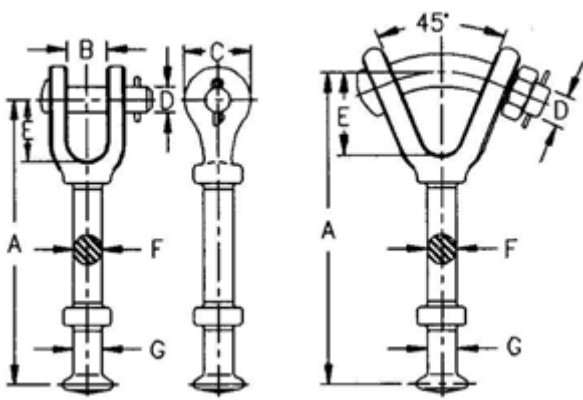


Figure 1 - Ball Clevis Figure 2* - Ball Y-Clevis

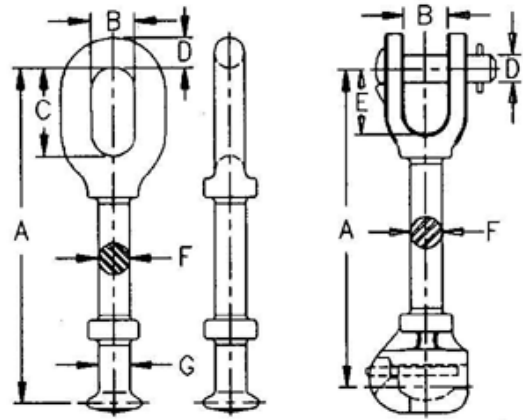


Figure 3 - Oval Eye Figure 4* - Socket Clevis

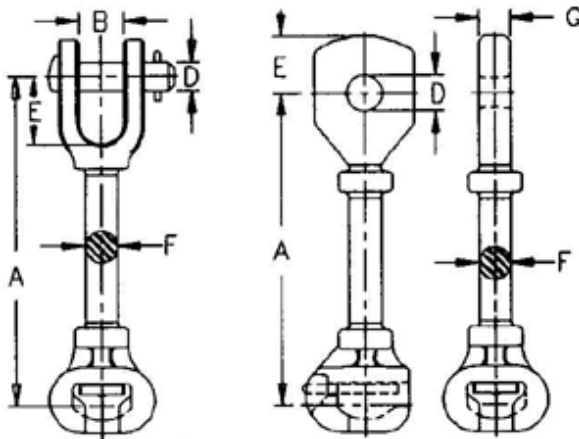


Figure 5* - Socket Clevis 90° Figure 6 - Socket Eye 90°

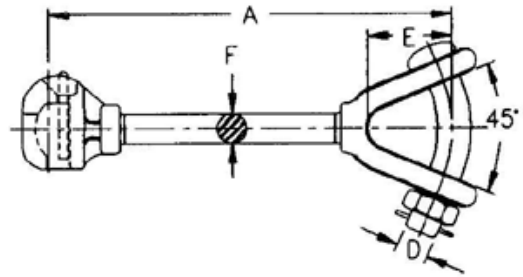


Figure 7* - Socket - Y - Clevis

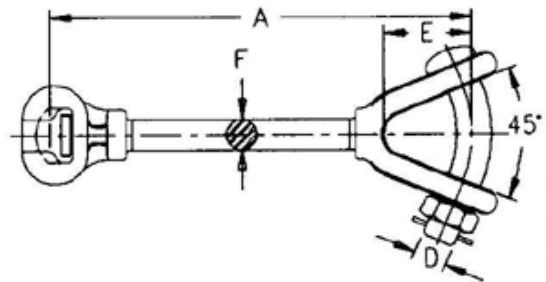


Figure 8* - Socket - Y - Clevis 90

CATALOG NUMBER	FIGURE NUMBER	DIMENSIONS (INCHES)									ULTIMATE STRENGTH (LBS.)	WEIGHT PER 100 PCS. (LBS.)
		A	B	C	D	E	F	G	H	I		
3441	1	12	15/16	2 1/4	3/4	1 7/8	1 1/8	-	-	-	50,000	655
3491	2	10	13/16	1 3/4	5/8	2	7/8	11/16	11/16	15/16	30,000	380
3444	2	12	15/16	2 1/4	3/4	1 7/8	1 1/8	7/8	13/16	1 1/8	50,000	590
3446	2	12	1 3/8	2 1/4	3/4	1 7/8	1 1/8	1 1/4	13/16	1 1/8	50,000	620
3452	3	10	15/16	2 1/4	3/4	2	1 1/32	3/4	13/16	1 1/16	40,000	510
3430	4	12	-	2 1/4	7/8	2 1/4	1 1/8	7/8	15/16	1 1/8	50,000	675
3432	5	12	-	2 1/4	7/8	2 1/4	1 1/8	7/8	15/16	1 1/8	50,000	595

Hot line Clevis Links and Y-Clevis Links

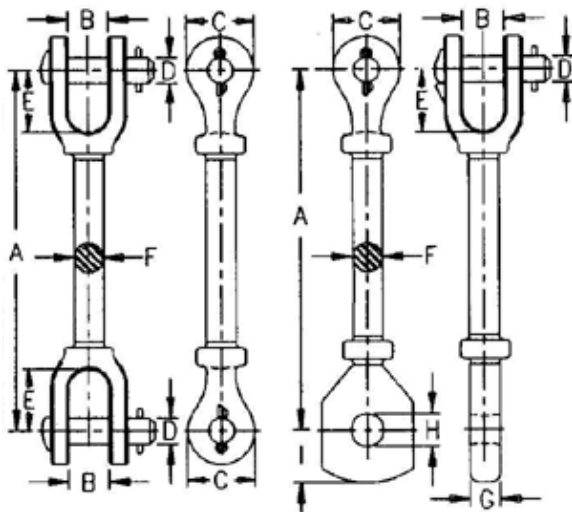


Figure 1 - Clevis-Clevis Figure 2 - Clevis-Eye

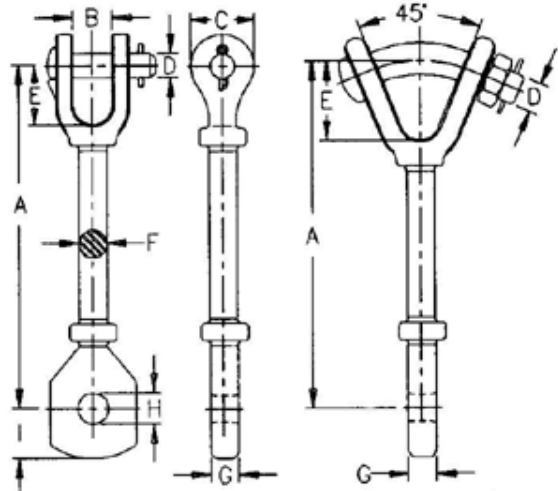


Figure 3 - Clevis - Eye 90° Figure 4 - Y-Clevis-Eye

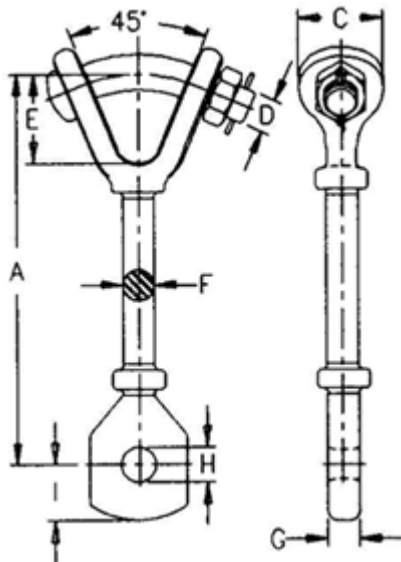


Figure 5 - Y- Clevis-Eye 90°

CATALOG NUMBER	FIGURE NUMBER	ANSI CLASS	DIMENSIONS (INCHES)							ULTIMATE STRENGTH (LBS.)	WEIGHT PER 100 PCS. (LBS.)
			A	B	C	D	E	F	G		
3455	1	52-3.52-5	9 3/4	13/16	1 3/4	5/8	2 1/8	7/8	23/32	30,000	250
3457	1	52-8.52-11	10 1/4	15/16	2 1/4	3/4	1 15/16	7/8	55/64	50,000	330
3478	2	52-3.52-5	10	-	1 3/4	3/4	2 1/8	7/8	23/32	30,000	285
3479	2	52-8.52-11	10 1/2	-	2 1/4	7/8	2 1/16	7/8	55/64	50,000	370
3482	3	53-3.52-5	11	1	2	11/16	-	7/8	23/32	30,000	265
3483	3	52-8.52-11	11 3/4	1 1/4	2 9/16	3/4	-	7/8	55/64	50,000	310
3454	4	52-3.52-5	10	1 1/32	1 3/4	5/8	2	7/8	-	30,000	385
3455	4	52-8.52-11	10	1	2 1/4	3/4	2 1/8	1 1/32	-	40,000	575
3470	5	52-8.52-11	11	15/16	2 3/8	3/4	1 7/8	1 1/8	-	50,000	650



3463 *	6	52-3.52-5	10	-	-	11/16	15/16	7/8	11/16 TO 2 1/4*	30,000	360
3465 *	6	52-8.52-11	10	-	-	15/16	1 1/8	1 1/8	7/8 TO 1 3/8*	50,000	580
3472	7	52-3.52-5	10 1/2	-	2	3/4	2 1/8	7/8	-	30,000	450
3448	8	52-3.52-5	10 3/8	-	2	3/4	1 5/8	7/8	-	30,000	445
3471	8	52-8.52-11	11	-	2 1/4	7/8	2 1/4	1 1/8	-	50,000	675