



## T&D Fittings/ Hot Line Extension Links

### Hot Line Extensions Links - Variable Length

<b>Oval Eye</b>	<b>Oval Eye</b>	<b>Eye</b>
30,000 and 40,000 Lb. Design	50,000 and 60,000 Lb. Design	30,000 Lb. Design
Weight: 0.8 Lbs.	Weight: 1.2 Lbs.	Weight: 0.9 Lbs.
<b>Eye</b>	<b>Ball</b>	<b>Y-Clevis</b>
40,000 Lb. Design	30,000 Lb. Design	30,000 and 40,000 Lb. Design
Weight: 1.0 Lbs.	Weight: 1.5 Lbs.	Weight: 2.1 and 2.4 Lbs. Lbs.
<b>Y-Clevis</b>	<b>Clevis</b>	<b>Clevis</b>
50,000 Lb. Design	30,000 and 40,000 Lb. Design	50,000 and 60,000 Lb. Design
Weight: 2.6 Lbs.	Weight: 1.8 Lbs.	Weight: 2.0 and 2.2 Lbs. Lbs.
	*A smaller opening can be specified, if desired.	*A smaller opening can be specified, if desired.

Return to [Top](#)

#### CATALOG NUMBER SELECTION GUIDE

Select the catalog number for the desired shape and orientation of ends from the table below. Specify the desired length, "L", in inches, with the last digit representing tenths. For example, L=966 is 96.6 inches. Minimum length is 12 inches. Maximum recommended length for



ball fittings is 24 inches.

DESCRIPTION:		ULTIMATE STRENGTH RATING (LBS)			
SHAPE AND ORIENTATION OF ENDS		30,000	40,000	50,000	60,000
OVAL EYE / OVAL EYE ④		3484/L	3484/L	-	3487H/L
OVAL EYE / OVAL EYE 90° ⑤		3485/L	3485/L	-	3486H/L
OVAL EYE / Y-CLEVIS		3422/L	3422H/L	3424/L	3424H/L
OVAL EYE / Y-CLEVIS 90°		3421/L	3421H/L	3423/L	-
OVAL EYE / CLEVIS		3497/L	3497/L	-	3499/L
OVAL EYE / CLEVIS 90°		3496/L	3496H/L	-	3498/L
OVAL EYE / EYE		3469/L	3481T/L	3482H/L	-
OVAL EYE / EYE 90°		3468/L	3481/L	-	-
OVAL EYE / BALL		3482/L	-	-	-
Y-CLEVIS / Y-CLEVIS		3433/L	3433H/L	3434/L	-
Y-CLEVIS / CLEVIS		3469/L	3425H/L	3426/L	-
Y-CLEVIS / CLEVIS 90°		3458/L	3458H/L	3428/L	-
Y-CLEVIS / EYE		3467/L	3429/L	-	-
Y-CLEVIS / EYE 90°		3466/L	3431/L	-	-
Y-CLEVIS / BALL		3478/L	-	-	-
CLEVIS / CLEVIS		3451/L	3440/L	3441/L	3441H/L
CLEVIS / CLEVIS 90°		3450/L	3442/L	3443/L	3443H/L
CLEVIS / EYE		3491/L	3453/L	-	-
CLEVIS / EYE 90°		3490/L	3490H/L	-	-
CLEVIS / BALL		3456/L	-	-	-
EYE / EYE		3493/L	3493H/L	-	-
EYE / EYE 90°		3492/L	3492H/L	-	-

**Notes:**

1. To determine weight, add and fitting weights to per inch rod weight. For 30,000 and 40,000 lb. links add 0.18 lb./Inch. For 50,000 and 60,000 lb. links add 0.22 lb./Inch.
2. Tolerances +/-3/4 inch for links to 40 inches long. +/-2% of length for links over 40 inches.
3. To replace clevis pin with a bolt, nut and cotter key, add "BNC" to the catalog number.
4. These hot line extension links are also available in 80,000 lb. (3495/L) and 120,000 lb (3495H/L) ratings.
5. These hot line extension links are also available in 80,000 lb. (3494/L) and 120,000 lb. (3494H/L) ratings.

**Hot Line Extensions Links - Variable Length**

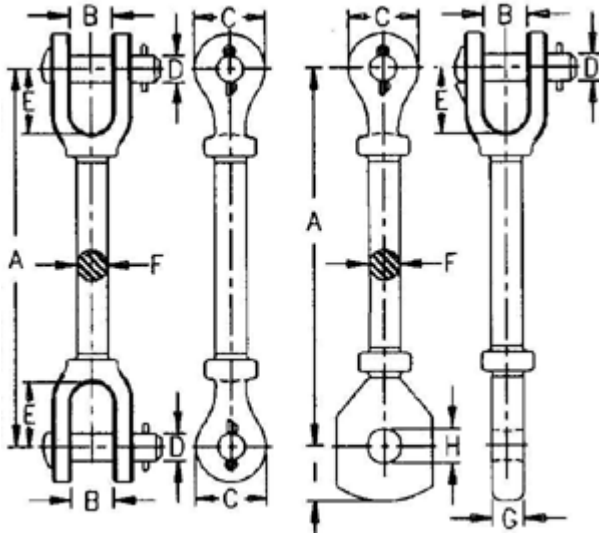


Figure 1 - Clevis-Clevis    Figure 2 - Clevis-Eye

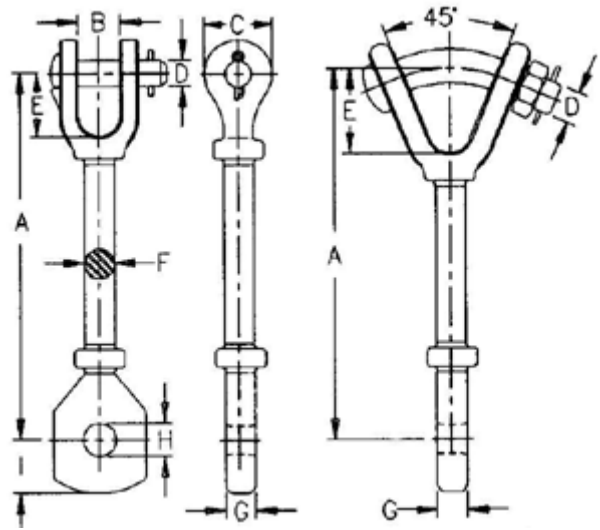


Figure 3 - Clevis - Eye 90°    Figure 4 - Y-Clevis-Eye

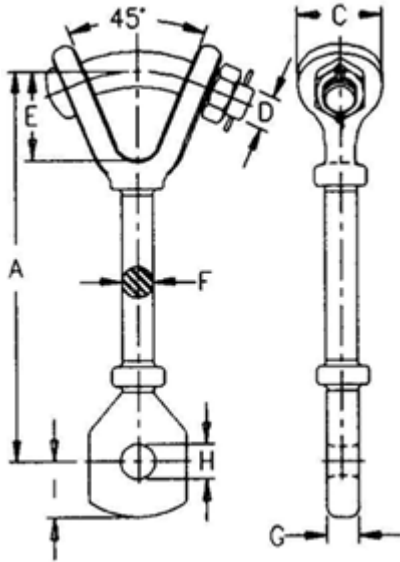


Figure 5 - Y- Clevis-Eye 90°

CATALOG NUMBER	FIGURE NUMBER	ANSI CLASS	DIMENSIONS (INCHES)							ULTIMATE STRENGTH (LBS.)	WEIGHT PER 100 PCS. (LBS.)
			A	B	C	D	E	F	G		
3455	1	52-3.52-5	9 3/4	13/16	1 3/4	5/8	2 1/8	7/8	23/32	30,000	250
3457	1	52-8.52-11	10 1/4	15/16	2 1/4	3/4	1 15/16	7/8	55/64	50,000	330
3478	2	52-3.52-5	10	-	1 3/4	3/4	2 1/8	7/8	23/32	30,000	285
3479	2	52-8.52-11	10 1/2	-	2 1/4	7/8	2 1/16	7/8	55/64	50,000	370
3482	3	53-3.52-5	11	1	2	11/16	-	7/8	23/32	30,000	265
3483	3	52-8.52-11	11 3/4	1 1/4	2 9/16	3/4	-	7/8	55/64	50,000	310
3454	4	52-3.52-5	10	1 1/32	1 3/4	5/8	2	7/8	-	30,000	385
3455	4	52-8.52-11	10	1	2 1/4	3/4	2 1/8	1 1/32	-	40,000	575
3470	5	52-8.52-11	11	15/16	2 3/8	3/4	1 7/8	1 1/8	-	50,000	650



3463 *	6	52-3.52-5	10	-	-	11/16	15/16	7/8	11/16 TO 2 1/4*	30,000	360
3465 *	6	52-8.52-11	10	-	-	15/16	1 1/8	1 1/8	7/8 TO 1 3/8*	50,000	580
3472	7	52-3.52-5	10 1/2	-	2	3/4	2 1/8	7/8	-	30,000	450
3448	8	52-3.52-5	10 3/8	-	2	3/4	1 5/8	7/8	-	30,000	445
3471	8	52-8.52-11	11	-	2 1/4	7/8	2 1/4	1 1/8	-	50,000	675