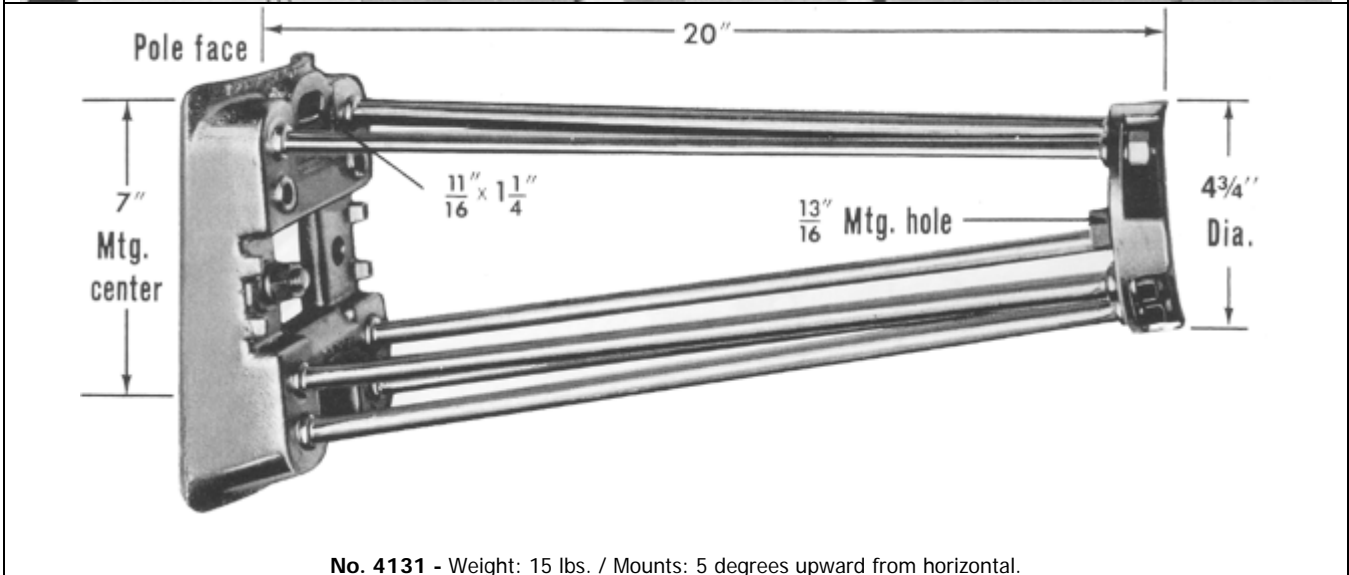
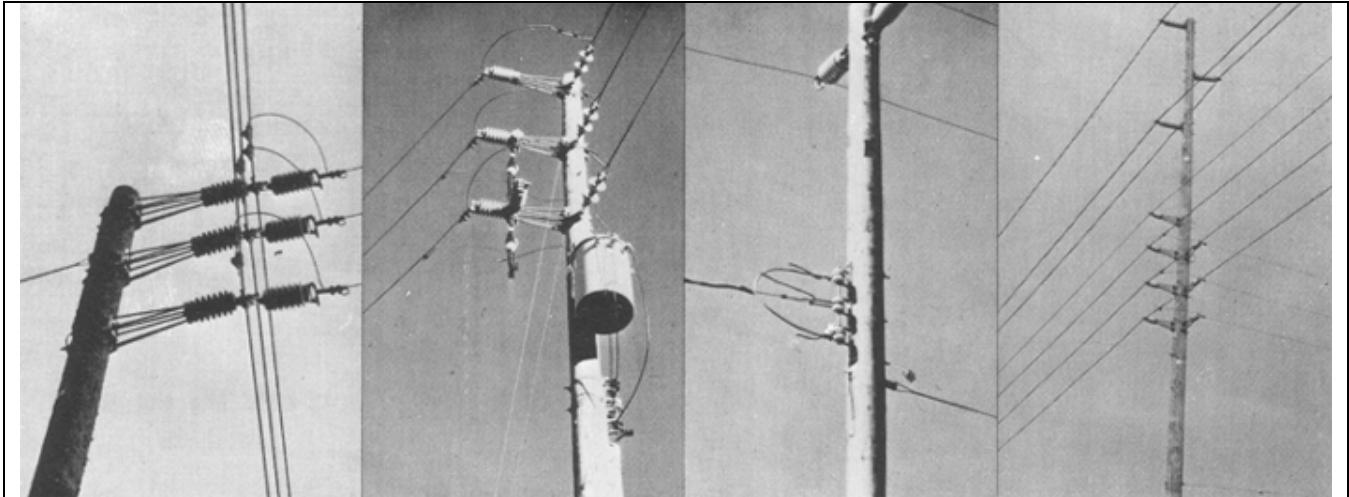




Insulator Extension Arms

Light Duty Fail-Safe Insulator Extension Arms



No. 4131 - Weight: 15 lbs. / Mounts: 5 degrees upward from horizontal.

