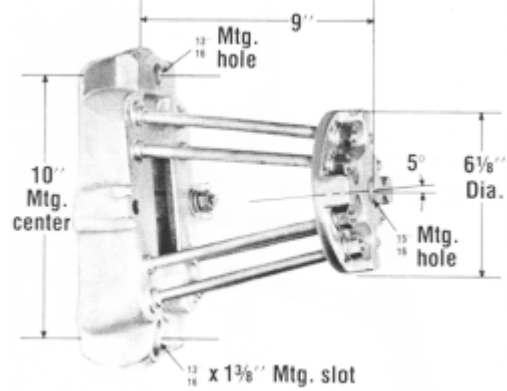
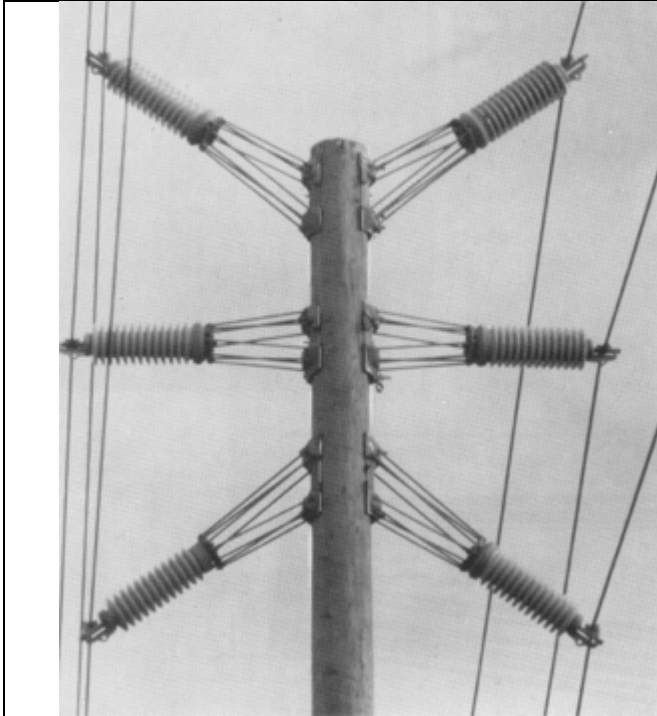
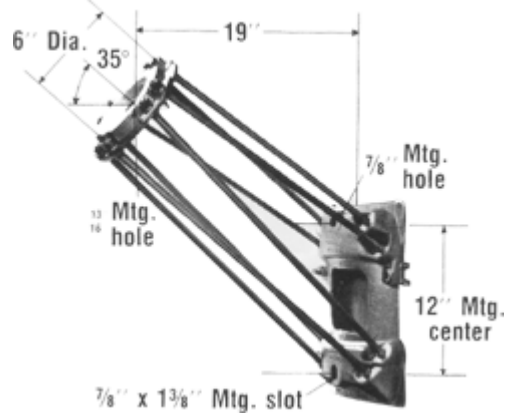


Insulator Extension Arms

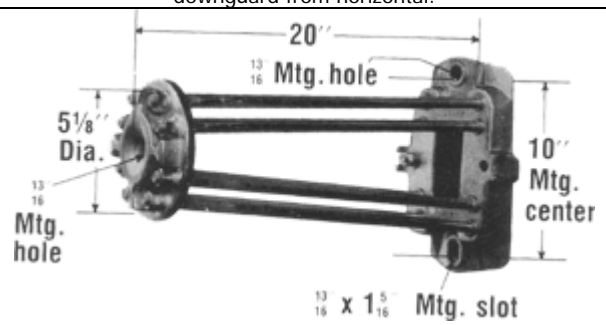
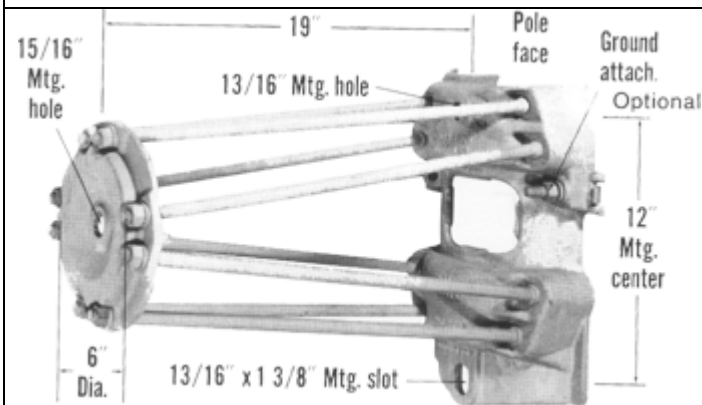
Heavy Duty Fail-Safe Insulator Extension Arms



No. 4230 - Weight: 15 lbs. / Mounts: 5 degrees upward from horizontal.



No. 4234 - Weight: 35 lbs. / Mounts: 35 degrees upward or downguard from horizontal.



No. 4237 - Weight: 25 lbs. / Mounts: 5 degrees upward from horizontal.