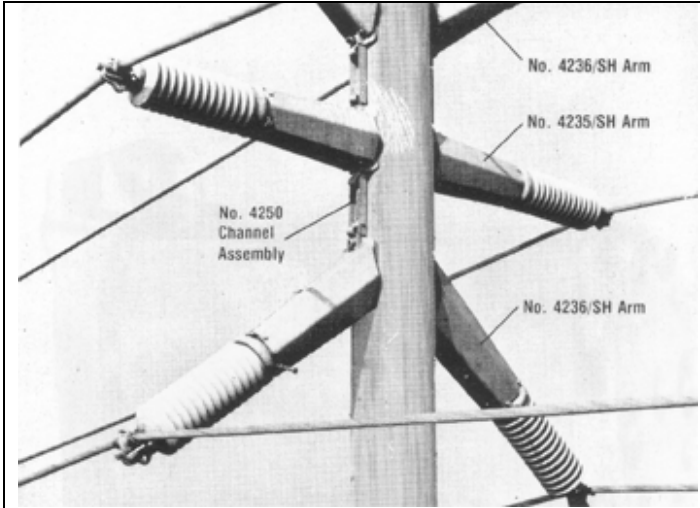


Insulator Extension Arms

Heavy Duty Fail-Safe Insulator Extension Arms

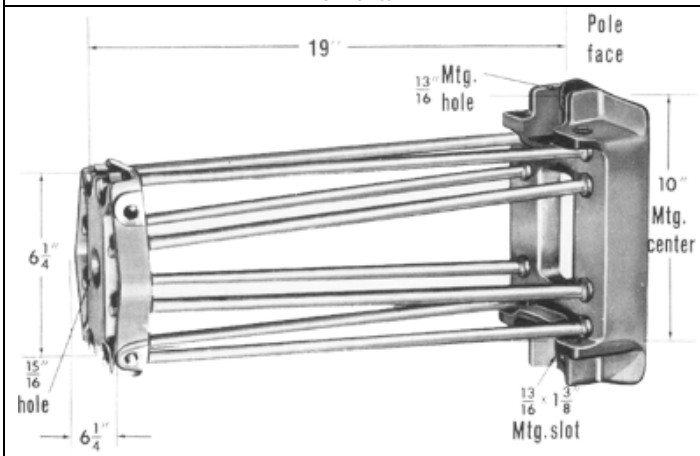


No. 4231 - Weight: 24 lbs. / Mounts: 5 degrees upward from horizontal.

The No. 4236 or 4236 / SH and the No. 4235 or 4235 /SH Fail Safe Insulator Arms were developed by Lindsey Manufacturing Company to be used in the configuration shown at the left. This configuration designed by Henry Dreyfuss won the "1964-65 Design in Steel" award from American Iron & Steel Institute. As shown the No. 4236 can be mounted in either an upward or downward angle. The shroud is removable for ease of installation and climbing.

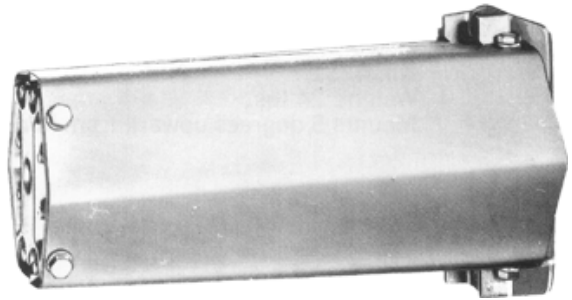
All parts are 60-45-1 5 ductile iron and steel are hot dip galvanized prior to assembly.

On any order including shrouds, minimum order quantity is 100.



No. 4235 - Weight: 26.5 lbs. / Horizontal Mounting

U.S. Patent 3,329,767



No. 4235/SH - Weight: 31 lbs. / Horizontal Mounting.

