



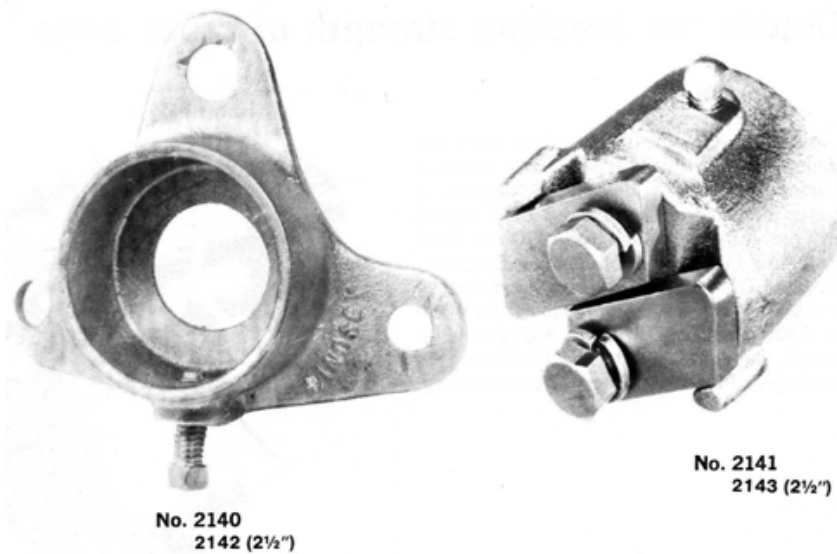
Pole Line Hardware

Sidewalk Guy Fitting

Lindsey's Sidewalk guy Fittings are used along sidewalks or near buildings where space is not available for standard guying. The No.2140 Pole Flange takes standard 2" Diameter pipe size. The pipe is held in place by a set screws and is attached to the pole with one 5/8" bolt and two 1/2" lag screws.

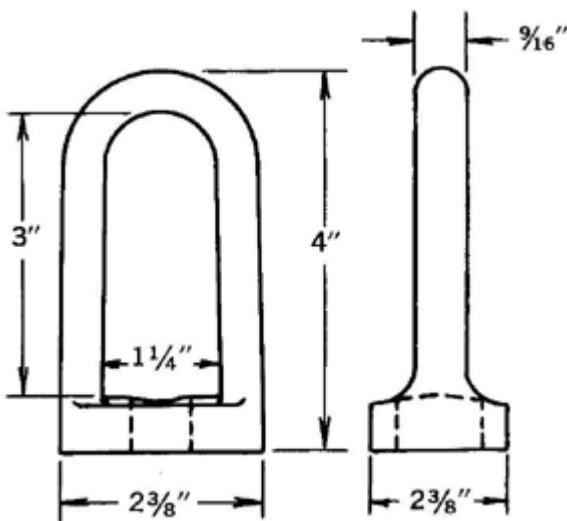
The No. 2141 End fitting Guy Clamp mounts on a 2" Diameter pipe. The unique two-piece clamping plate secures one or two guys. Either guy may be removed or adjusted without disturbing the other guy.

Material is 60-45-15 ductile iron, hot dip galvanized.



Eyelets

Lindsey's No. 2200 eyelet has an ultimate strength of 14,000 lbs. Hole design allows thru bolt to be inserted from the eye side. Material is 60-45-15 ductile iron, hot clip galvanized



Clevis Thimble

Copyright © 2005 Lindsey Manufacturing Co.
P.O.Box 877, 760 N. Georgia Av., Azusa, CA 91702 USA
Tel. +1(626) 969 3471
Fax. +1(626) 969 3177
www.lindsey-usa.com



Lindsey's No. 2225 Clevis Thimble has an ultimate strength of 18,000 lbs. Material is 60-45-15 ductile iron, hot dip galvanized.

