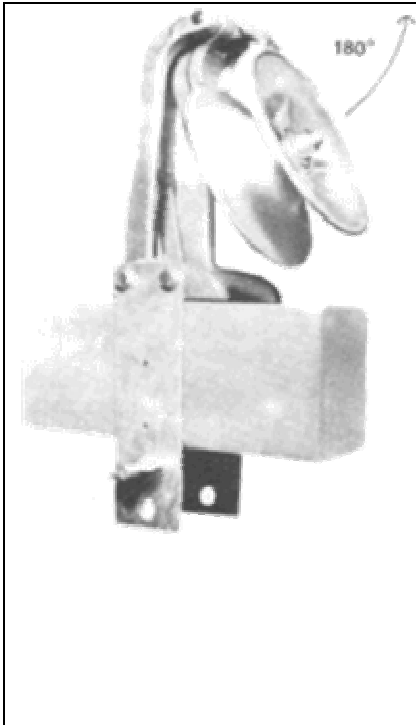


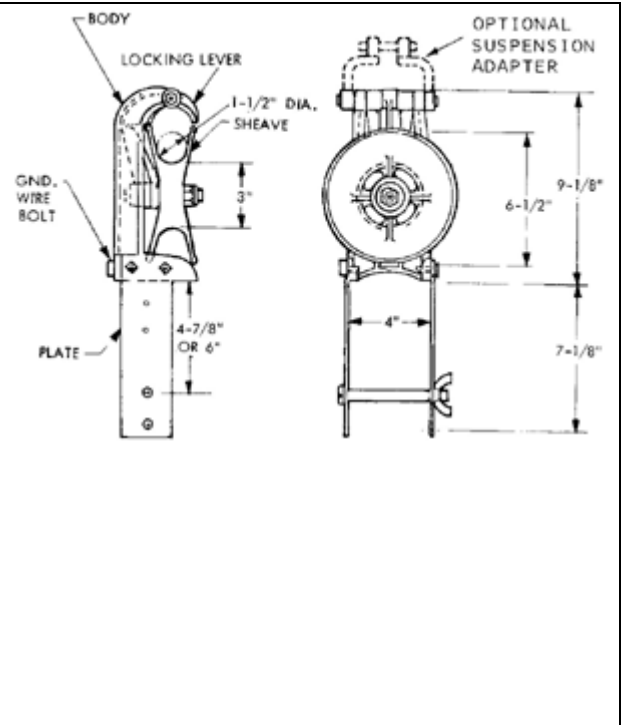


## Distribution stringing Rollers

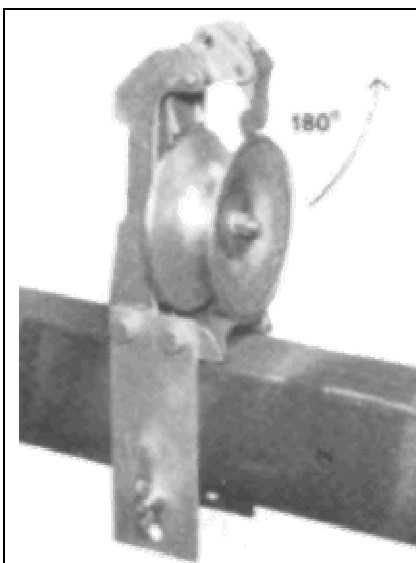
### 5320 Angle Stringing Roller (With optional suspension adapter.)



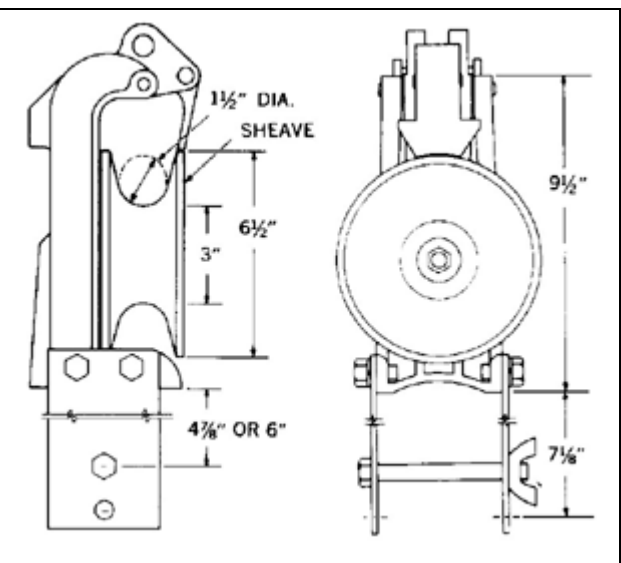
The No. 5320 is a lightweight, self-adjusting conductor stringing tool. It can be used for stringing angles because the sheave follows the conductor through a 180° arc. The deep groove sheave, spring actuated keeper and side loading feature assure safe, fast loading and stringing without removal of parts. It can be easily mounted on the top or bottom of 3 3/4 " by 4 3/4 " crossarms or suspension mounted with the optional No. 5330-5 Adapter. (See drawing). Material is lightweight high strength 356-T6 aluminum alloy and cadmium plated ferrous parts. Sheaves are mounted on lubricated double shielded ball bearings for maintenance-free operating life. Weight is 7 lbs.



### 5364 Heavy Duty Angle Stringing Roller



The No. 5364 Heavy Duty Angle Stringing Roller has the same design features as the No. 5320 shown above, but is constructed for heavy duty stringing and may be suspension mounted without optional adapters. Material is lightweight high strength 356-T6 aluminum alloy and cadmium plated ferrous parts. Sheaves are mounted on lubricated double shielded ball bearings for maintenance-free operating life.



**5369 Heavy Duty Dumping Roller**



The No. 5330 is a lightweight, self-adjusting conductor stringing tool. It can be used for stringing angles because the sheave follows the conductor through a 180° arc. The deep groove sheave, spring actuated keeper and side loading feature assure safe, fast loading and stringing without removal of parts. It can be easily mounted on the top or bottom of cross arms up to 53/4" by 53/4" or suspension mounted with the eye bolt or optional No. 5330-5 adapter. Material is lightweight, high strength 356-T6 aluminum alloy and cadmium plated ferrous parts. Sheaves are mounted on lubricated, double shielded ball bearings for maintenance-free operating life. Weight is 9 lbs.

