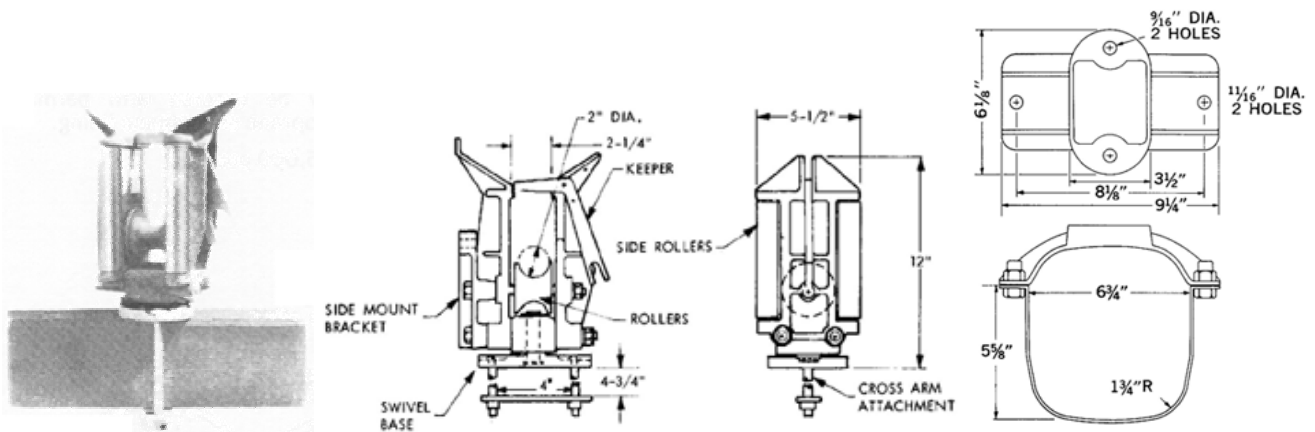




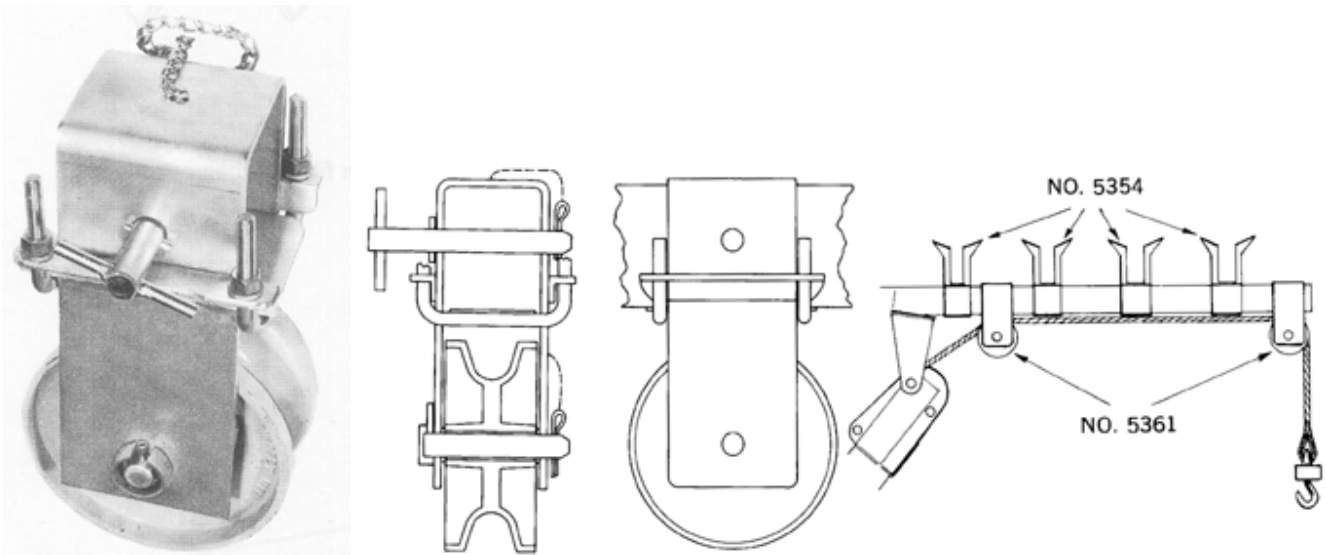
## Distribution stringing Rollers

### 5354 Boom Truck Roller

The No. 5354 Boom Truck Roller is for lifting and holding hot conductors during maintenance. It mounts on a 3 3/4" x 4 3/4" crossarm or insulated boom. The keeper assures conductor security and safety. Weight is 18 1/2 lbs.



### 5361



### 5333 Flat Groove Angle Stringing Roller

The No. 5333 was designed specially for stringing up to 3-inch wide flat conductor. A unique pivoting feature allows the sheave and spring-loaded keeper to follow the conductor through a 180° arc. Supplied with a 48 inch chain and hook for pole mounting, the No. 5333 can also

Copyright © 2005 Lindsey Manufacturing Co.  
P.O.Box 877, 760 N. Georgia Av., Azusa, CA 91702 USA  
Tel. +1(626) 969 3471  
Fax. +1(626) 969 3177  
www.lindsey-usa.com



be suspension mounted without removing the pole bracket or chain. The sheave has a 2 1/2" I.D., 6" O.D. and is mounted on oil impregnated bushings for a long, maintenance-free operating life. Parts are lightweight 356-T6 aluminum alloy with a ductile iron pole bracket and steel chain. Weight is 11 lbs.

