



Distribution tringing Rollers

5371 Heavy Duty All Angle Roller

NO. 5371 HEAVY DUTY ALL ANGLE ROLLER

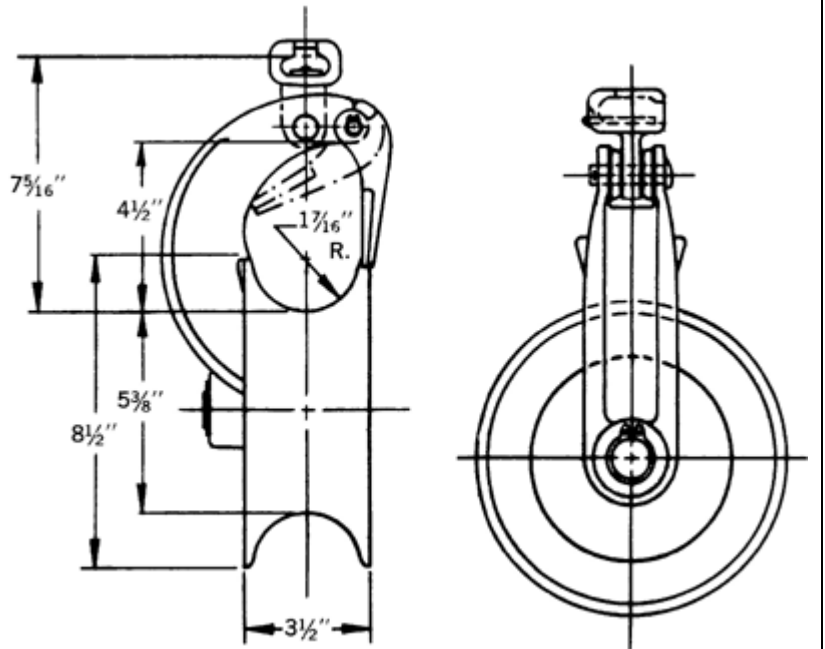
NO. 5372 WIDE GROOVE SUSPENSION ROLLER

The 5372 Wide Groove Suspension Roller is constructed from light weight, high strength A356-T6 aluminum alloy. All ferrous materials are hot dip galvanized or electro cadmium plated. Sheaves are mounted on precision ground, conrad type ball bearings.

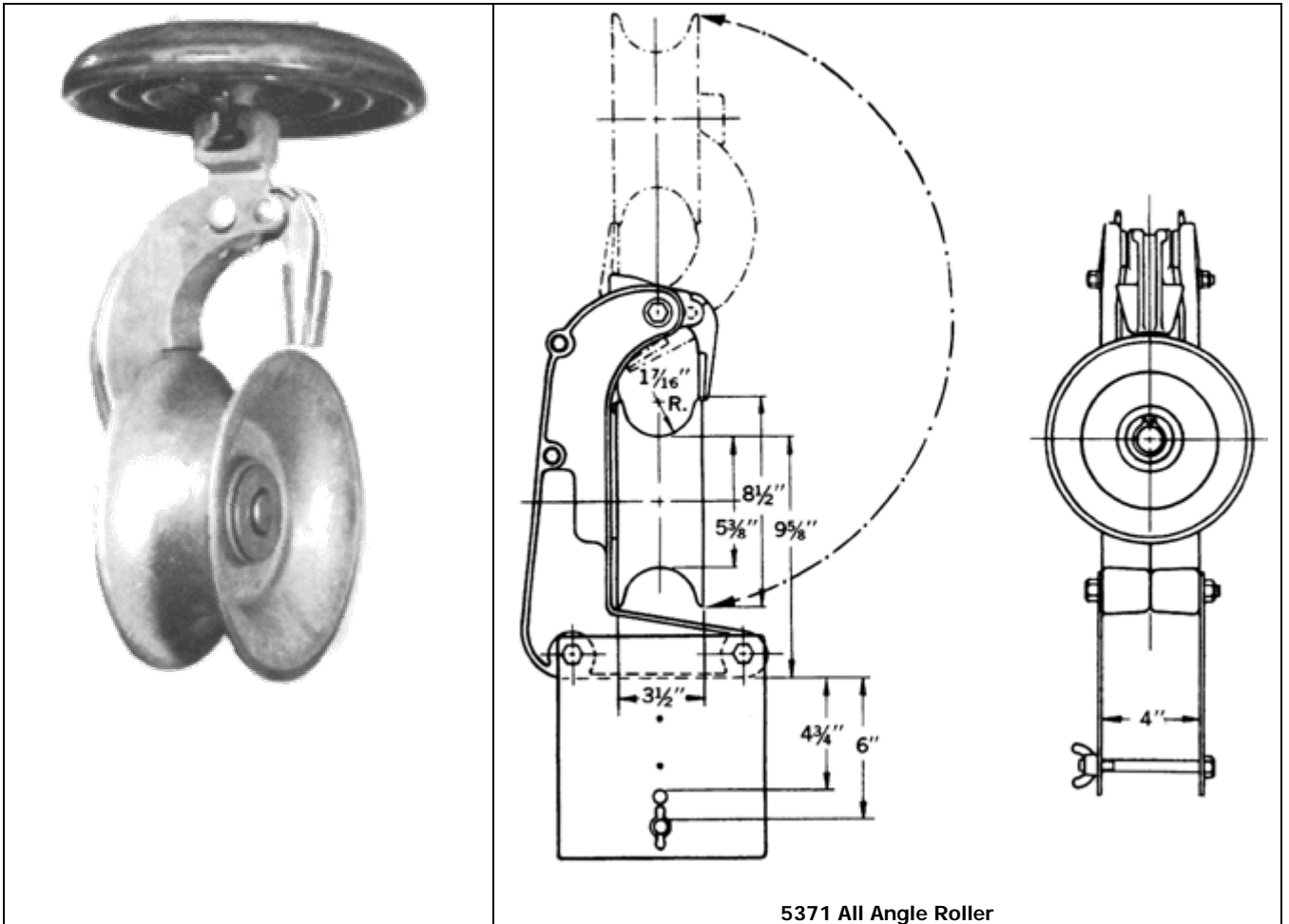
By adding a crossarm bracket, the 5372 can be converted into a 5371 Heavy Duty All Angle Roller.

The 5372 and 5371 have ultimate strength ratings of 7500 pounds and a safe working load of 2500 pounds.

The 5372 when ordered individually, includes a socket fitting.



5372 Suspension Roller



5371 All Angle Roller