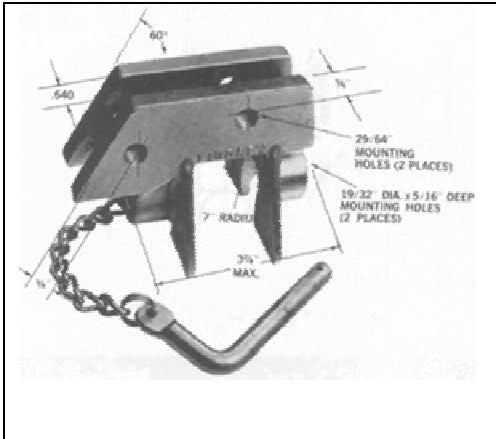


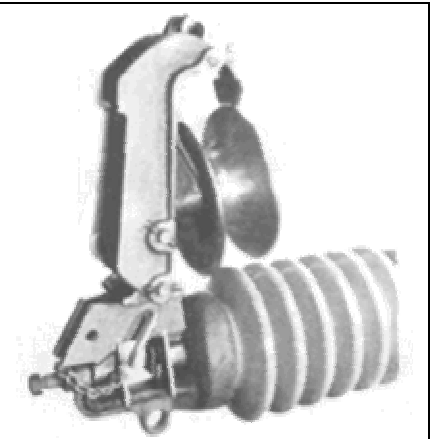


Universal Stringing Roller Adapters & Dumping Stringing Roller Adapters

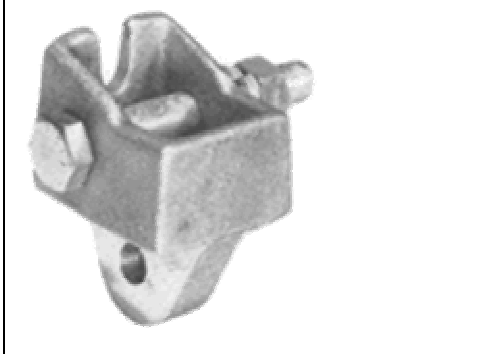
5908 Trunnion Adapter (or adapting No. 5902, 5903 and 5904 Rollers to clamp top type horizontal and vertical insulators.)



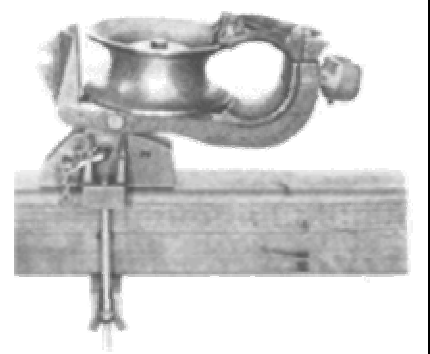
The No. 5908 Trunnion Adapter makes it possible to use the No. 5902, 5903 and 5904 Stringing Rollers on clamp top type horizontal and vertical insulators. The No. 5908 mounts securely in any standard clamp top type insulator without special tools. The trunnion bolt is all that is required to hold the No. 5908 in place. The No. 5908 is 356-T6 aluminum alloy and weighs 1.5 lbs.



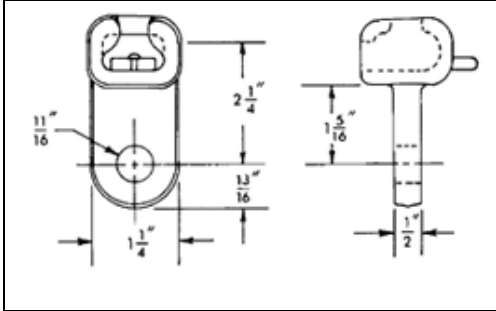
No. 5906 Angle Attachment



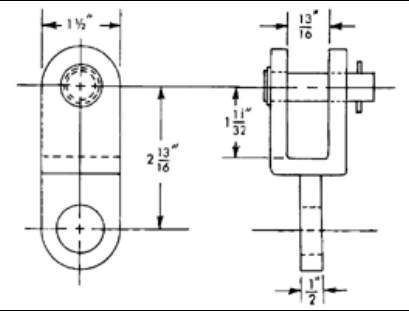
Using the No. 5906 Angle Attachment allows the No. 5902 Roller to be mounted onto the No. 5900 Universal Crossarm Adapter at 67 1/2° and 90°.



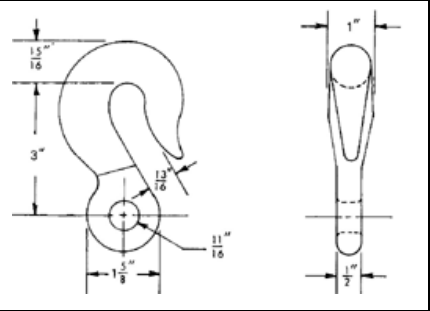
Suspension Fittings



3349 - S-SOCKET EYES



3110 - C-CLEVIS EYES



3312 - H-HOOKS

