



Transmission Stringing Travelers & Accessories

Series 6045 Conductor Lifting Hooks

The Lindsey Series 6045 Conductor Lifting Hooks are cast from high strength ductile iron and coated with urethane. They have a safe working load of 4000 pounds, a 9" bottom of groove radius and are capable of accommodating a 30' line angle. The maximum conductor size is 1.8" in diameter.

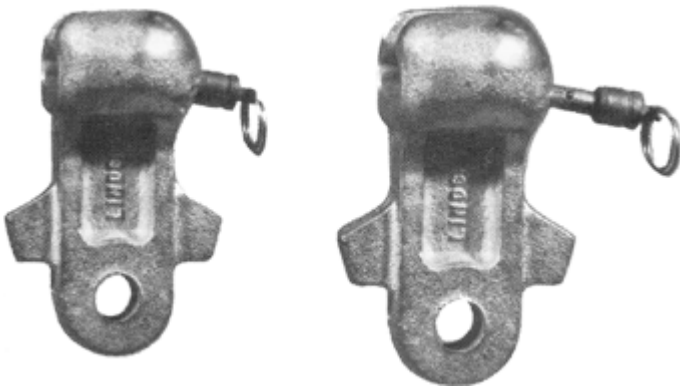
The Lindsey Series 6046 Conductor Lifting Hooks have a 15,000 pound safe working load and can accommodate conductors up to 3.0" in diameter.



Series 6810 Lineman's Socket Eye




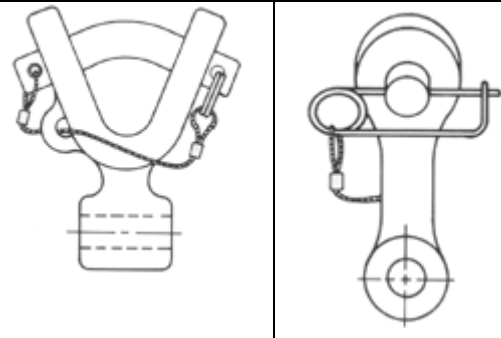
These Socket Eyes were designed for linemen. Unlike standard socket eyes with hard to handle wire socket cotter keys, the Ball Lock Socket Eye utilizes a push-pull ball lock pin in order to retain the insulator ball. They are easy to handle by linemen wearing gloves and save valuable time during erection and clipping-in operations.

These sockets are available for ANSI Class 52-3 and 52-5 insulators (rated at 30,000 pounds) and ANSI Class 52-8 and 52-11 insulators (rated at 50,000 pounds). To order, specify strength rating and eye dimensions.



U.S. Patent N^o. 4,160,540

Fittings - 30,000 Lb.

 <p>3089</p>	 <p>3302</p>	 <p>3075</p>	 <p>Specify eye width & hole dimension.</p>
---	---	---	---