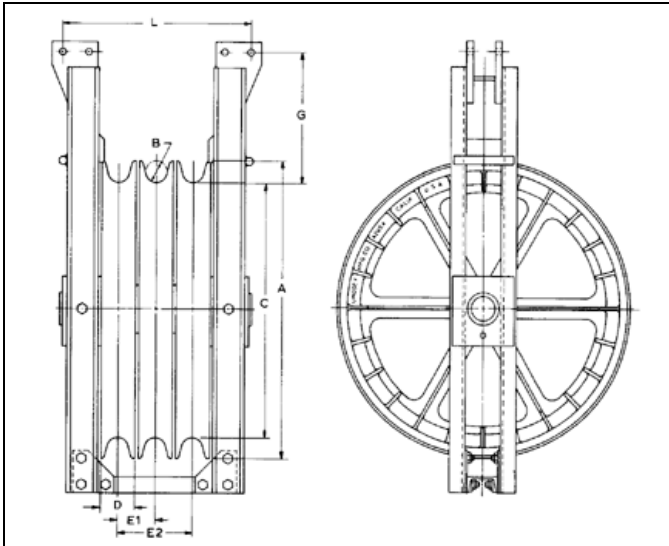




## Transmission Stringing Travelers & Accessories

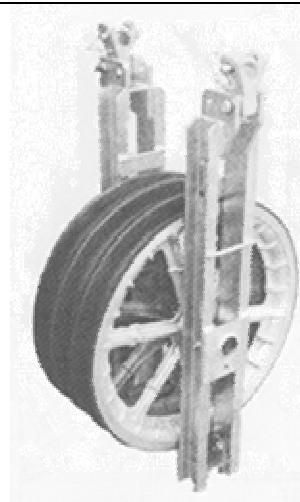
### Series 6150



The Lindsey Series 6150 Rigid Frame "Slimline" Bundle Travelers are designed for rugged heavy duty stringing of two or three conductors. These "Slimline" travelers eliminate the weight and cost disadvantage of bundle conductor travelers with spacer drums, yet provide smooth operation under heavy load conditions usually found in multiple-conductor stringing. The rigid frame construction facilitates easy storage and can be supplied with optional 6120 Traveler Legs for added stability. The Series 6150 travelers allow for the addition of the Lindsey Series 6085 Traveler Grounds for two or three conductor grounding, Series 6051 Automatic Uplift Rollers, and heavy bars for single point suspension.

Material used in the construction of the frames is high strength, high impact resistant, hot dip galvanized steel. The sheaves are made of lightweight, high strength, heat treated aluminum alloy. The sheaves are equipped with precision ground, deep groove, shielded ball bearings.

Sheaves may be purchased with polished aluminum or permanently bonded, high visibility red urethane or black conductive neoprene linings. Be sure to specify type of lining when ordering.



CATALOG NUMBER	DIMENSIONS (INCHES)							SAFE WORKING LOAD (POUNDS)	WEIGHT (POUNDS)	
	OUTSIDE SHEAVE DIA.	DIA. OF GROOVE	INSIDE SHEAVE DIA.	RIM WIDTH	SHEAVE SPACING		POINT OF CONNECTION TO BOTTOM OF GROOVE			SUSPENSION DISTANCE
	A	B	C	D	EI	IE2	G*			L
6150/10	12-50	1.310	10.0	2.75	2.93	5.87	12.18	18.0	12,000	120
6150/14	16.75	1.375	14.0	2.75	2.93	5.87	12.18	18.0	12,000	145
6150/16	20.00	1.620	16.0	3.12	3.31	6.62	12.18	18.0	12,000	160
6150/18	22.00	1.620	18.0	3.25	3.43	6.87	12.18	18.0	15,000	170
6150/24	28.00	1.700	24.0	3.25	3.43	6.87	12.18	18.0	20,000	245
6150/28	32.00	1.940	28.0	3.37	3.56	7.12	12.18	18.0	20,000	282