

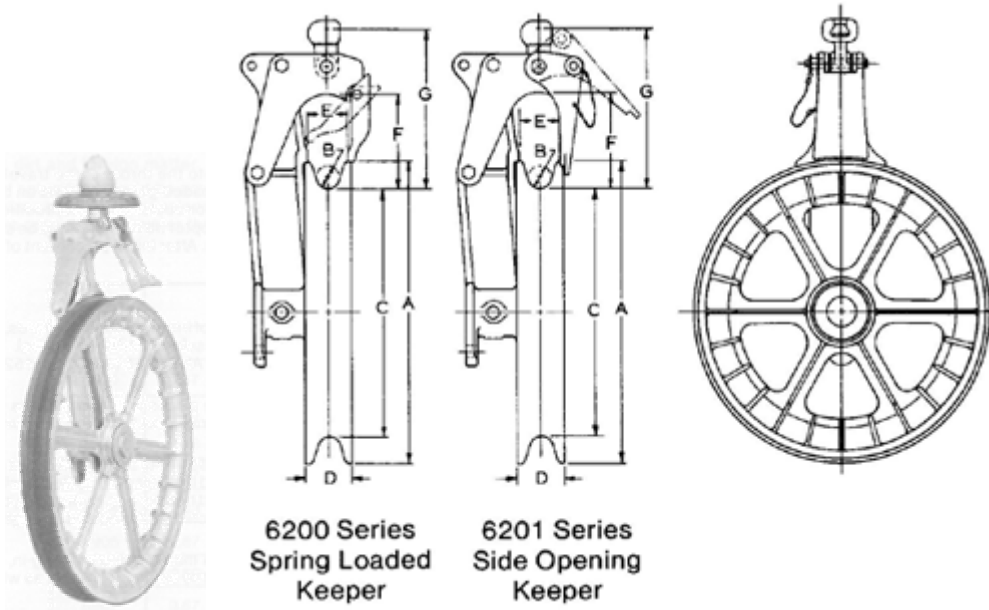


## Transmission Stringing Travelers & Accessories

### SERIES 6200 AND 6201 SINGLE CONVERTIBLE TRAVELERS

The Lindsey Convertible Series 6200 and 6201 Travelers provide a cost effective tool for stringing single conductor transmission lines. The versatile travelers may be easily converted into our two, three or four conductor Series 6100 Bundle Travelers. In addition, a 6020 Helicopter Attachment allows easy conversion for helicopter work. Traveler grounds, uplift rollers and traveler stands are easily attached. These rugged and dependable travelers provide for easy conductor removal during clipping-in.

Material used in the construction of the arms and sheaves is lightweight, high strength, A356-T6, heat treated aluminum alloy. All ferrous parts are hot dip galvanized or electro zinc plated. The sheaves are equipped with precision ground, deep groove, shielded ball bearings. Red urethane or black neoprene linings are permanently bonded for maximum durability. Be sure to specify the type of lining when ordering. In addition, all travelers come equipped with an ANSI Class 52-5 socket fitting.



6200 Series  
Spring Loaded  
Keeper

6201 Series  
Side Opening  
Keeper

CATALOG NUMBER		DIMENSIONS (INCHES)							SAFE WORKING LOAD (POUNDS)	WEIGHT (POUNDS)
		OUTSIDE SHEAVE DIA.	DIA. OF GROOVE	INSIDE SHEAVE DIA.	RIM WIDTH	THROAT		POINT OF CONNECTION TO BOTTOM OF GROOVE		
						WIDTH	HEIGHT			
A	B	C	D	E	F	G*				
6200/10	6201Y10	12.50	1.31	10.0	2.75	3.00	4.62	7.62	8,000	27
6200/14	6201/14	16.75	1.37	14.0	2.75	3.00	5.00	8.50	8,000	45
6200/16	6201/16	20.00	1.62	16.0	3.12	3.25	6.50	11.00	12,000	60
6200/18	6201/18	22.00	1.62	18.0	3.25	3.25	6.50	11.00	12,000	65
6200/24	6201/24	28.00	1.70	24.0	3.25	3.25	7.50	12.25	12,000	70
6200/28	6201/28	32.00	1.94	28.0	3.37	3.25	7.50	12.25	12,000	78

Optional attachments can be ordered with each traveler. ANSI Class 52-11 sockets and IEC sockets are available. In addition, our patented Series 6810 Ball Lock Socket Eye is also available on all Series 6200 and 6201 Travelers. Additional 3075 Ball Clevises and 3089 Bail Y-Clevises can be installed at the factory.