

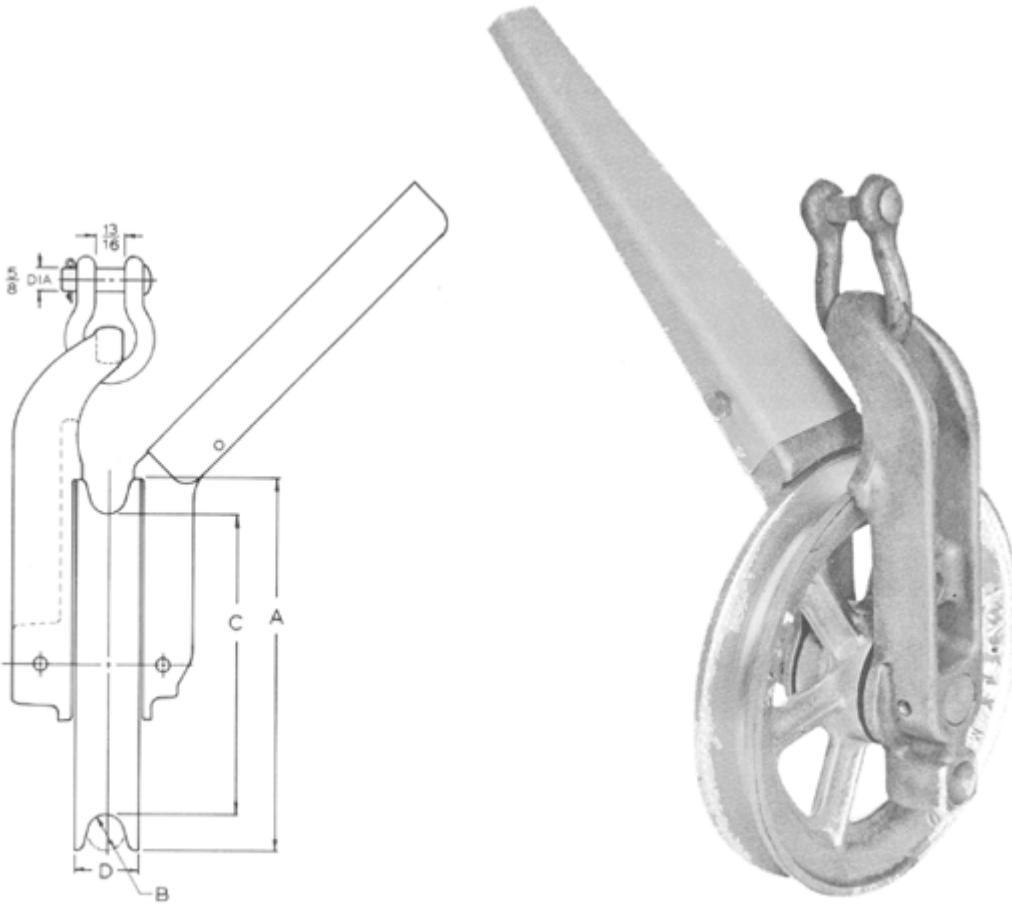


Transmission Stringing Travelers & Accessories

Series 6304 Helicopter Static Roller

The Lindsey Series 6300 Helicopter Static Roller is designed for close attachment to the "goat head", and to take advantage of the time saving use of helicopter stringing.

The sheaves are mounted on precision ground, permanently lubricated, shielded ball bearings. Sheaves are available with polished aluminum, ductile iron, or urethane lined grooves. All aluminum parts are manufactured from high strength, heat treated aluminum alloy. The boom arm is painted with high visibility paint for easy placement of the pilot line. Optional keepers are available on the Series 6310 which is identical in dimensions to the Series 6300. Be sure to specify if the connecting 3261 Anchor Shackle is required.



CATALOG NUMBER	DIMENSIONS (INCHES)							SAFE WORKING LOAD (POUNDS) ¹	WEIGHT (POUNDS)
	OUTSIDE SHEAVE DIA.	DIA. OF GROOVE	INSIDE SHEAVE DIA.	RIM WIDTH	THROAT		POINT OF CONNECTION TO BOTTOM OF GROOVE		
					WIDTH	HEIGHT			
A	B	C	D	E	F	G*			
6300/6U	8.0	.875	6.5	1.75	1.37	3.25	6.75	5,000	7
6300/6DI	8.0	.875	6.5	1.75	1.37	3.25	6.75	5,000	14
6300/8U	10.0	1.0	8.0	1.75	1.37	3.50	7.0	5,000	10