



## Transmission Stringing Travelers & Accessories

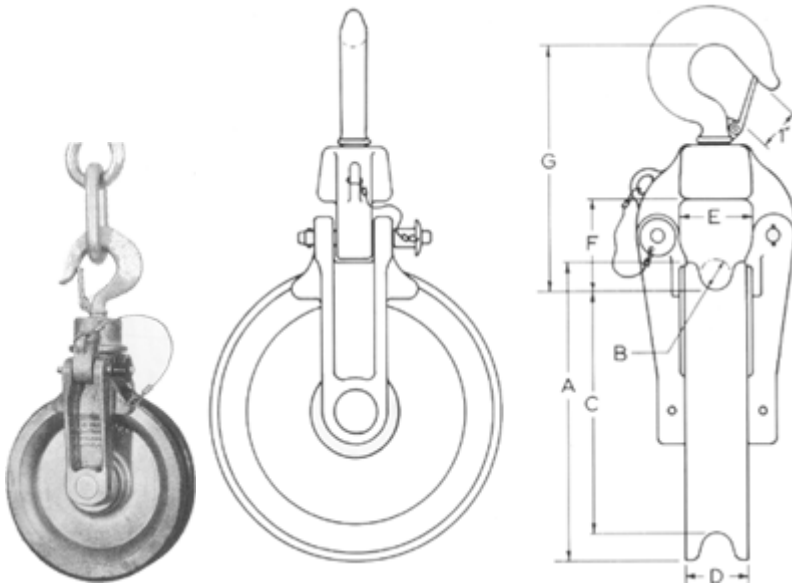
### Series 6360 Static Rollers

The Lindsey Series 6360 Static Rollers are designed for close attachment to the "goat head" for ease of static wire stringing. Positive locking, quick release pins allow for ease in removing the roller after stringing, yet prevent inadvertent disengagement. All parts are captive to the roller, thus there are no parts to drop or lose.

The sheaves are mounted on precision ground, permanently lubricated, shielded ball bearings designed to withstand heavy loads and high speeds. Sheaves are available with polished aluminum, ductile iron, or urethane lined grooves. Urethane lined aluminum or ductile iron is usually recommended for steel shield wires for improved wear. Polished aluminum or urethane lined aluminum is recommended for synthetic pulling lines and alumiweld static wire. Be sure to specify type of lining when ordering.

Rope guards prevent wedging of line, and the forged steel swivel safety hook enables easy attachment to the tower.

All aluminum parts are manufactured from high strength, heat treated aluminum alloy. Straight yokes are also available for reduced vertical clearance



| PART NUMBER | DIMENSIONS (INCHES) |                |                    |           |        |        |   | SAFE WORKING LOAD (POUNDS) | WEIGHT (POUNDS) |
|-------------|---------------------|----------------|--------------------|-----------|--------|--------|---|----------------------------|-----------------|
|             | OUTSIDE SHEAVE DIA. | DIA. OF GROOVE | INSIDE SHEAVE DIA. | HIM WIDTH | THROAT |        | POINT OF CONNECTION TO BOTTOM OF GROOVE |                            |                 |
|             |                     |                |                    |           | WIDTH  | HEIGHT |   |                            |                 |
| A           | B                   | C              | O                  | E         | F      | G      |   |                            |                 |
| 6360/6U     | 8.0                 | .875           | 6.5                | 1.75      | 2.0    | 2.18   | 6.37                                    | 5,000                      | 7               |
| 6360/6DI    | 8.0                 | .875           | 6.5                | 1.75      | 2.0    | 2.18   | 6.37                                    | 5,000                      | 14              |
| 6360/8U     | 10.0                | 1.000          | 8.0                | 1.75      | 2.0    | 2.18   | 6.37                                    | 5,000                      | 10              |