



Transmission Stringing Travelers & Accessories

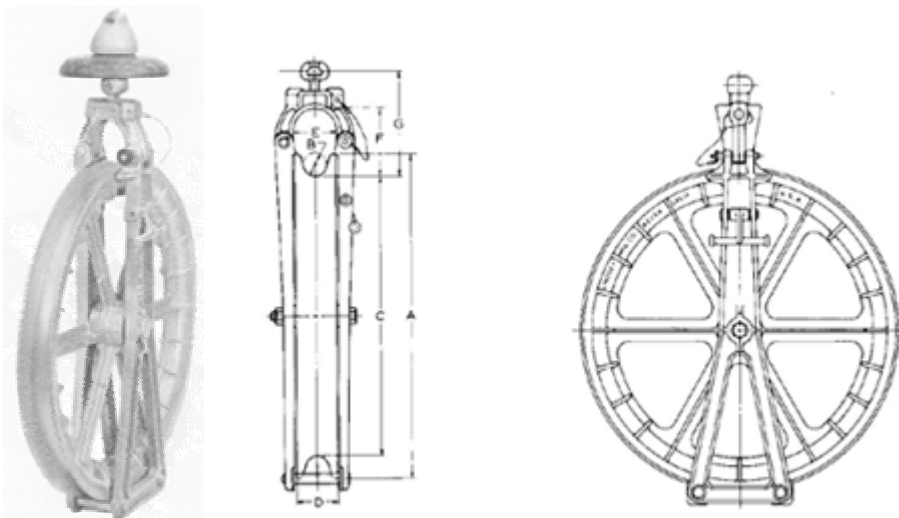
Series 6600

The Lindsey Series 6600 Fixed Full Frame Single Travelers are lightweight and rugged, yet inexpensive for stringing single conductor transmission lines. The throat section and conductor guard are large enough to permit passage of sleeves and connectors. Positive locking pins allow for ease in placing the pulling line in the sheave and 41 guarantee" positive locking by preventing the pin from being pulled out inadvertently.

Material used in the construction of the arms and sheaves is lightweight, high strength, heat treated aluminum alloy. All ferrous parts are treated for corrosion protection. The sheaves are equipped with precision ground, deep groove, shielded ball bearings.

Sheaves may be purchased with polished aluminum grooves or permanently bonded, high visibility red urethane or black conductive neoprene linings. All travelers are equipped with an ANSI Class 52-5 socket fitting.

Optional attachments can be ordered with each traveler. ANSI Class 52-11 sockets and IEC sockets are available. In addition, our patented Series 6810 Ball Lock Socket Eye is also available on all Series 6600 Travelers. Additional 3075 Ball Clevises and 3089 Ball Y-Clevises can be installed at the factory.



CATALOG NUMBER	DIMENSIONS			INCHES			SAFE WORKING LOAD POUNDS)	WEIGHT (POUNDS)	
	OUTSIDE SHEAVE DIA.	DIA. OF GROOVE	INSIDE SHEAVE DIA.	RIM WIDTH	THROAT				POINT OF CONNECTION TO BOTTOM OF GROOVE
					WIDTH	HEIGHT			
A	B	C	D	E	F	G *			
6600/10	13.00	1.31	10.0	2.75	2.75	5.37	8.62	8,000	21
6600/12	14.50	1.37	12.0	2.75	2.75	5.37	8.62	8,000	28
6600/14	16.75	1.37	14.0	2.75	2.75	5.56	8.62	8,000	35
6600/16	20.00	1.62	16.0	3.12	3.25	6.62	8.62	12,000	38
6600/18	22.00	1.62	18.0	3.25	3.25	6.62	8.75	12,000	42
6600/24	28.00	1.70	24.0	3.25	3.25	7.00	8.75	12,000	57
6600/28	32.00	1.94	28.0	3.37	3.75	7.00	9.12	12,000	70